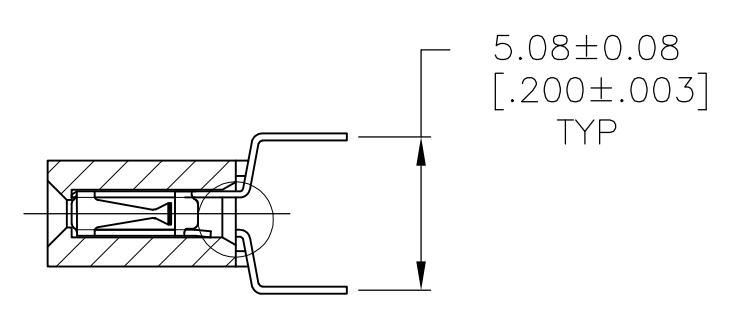
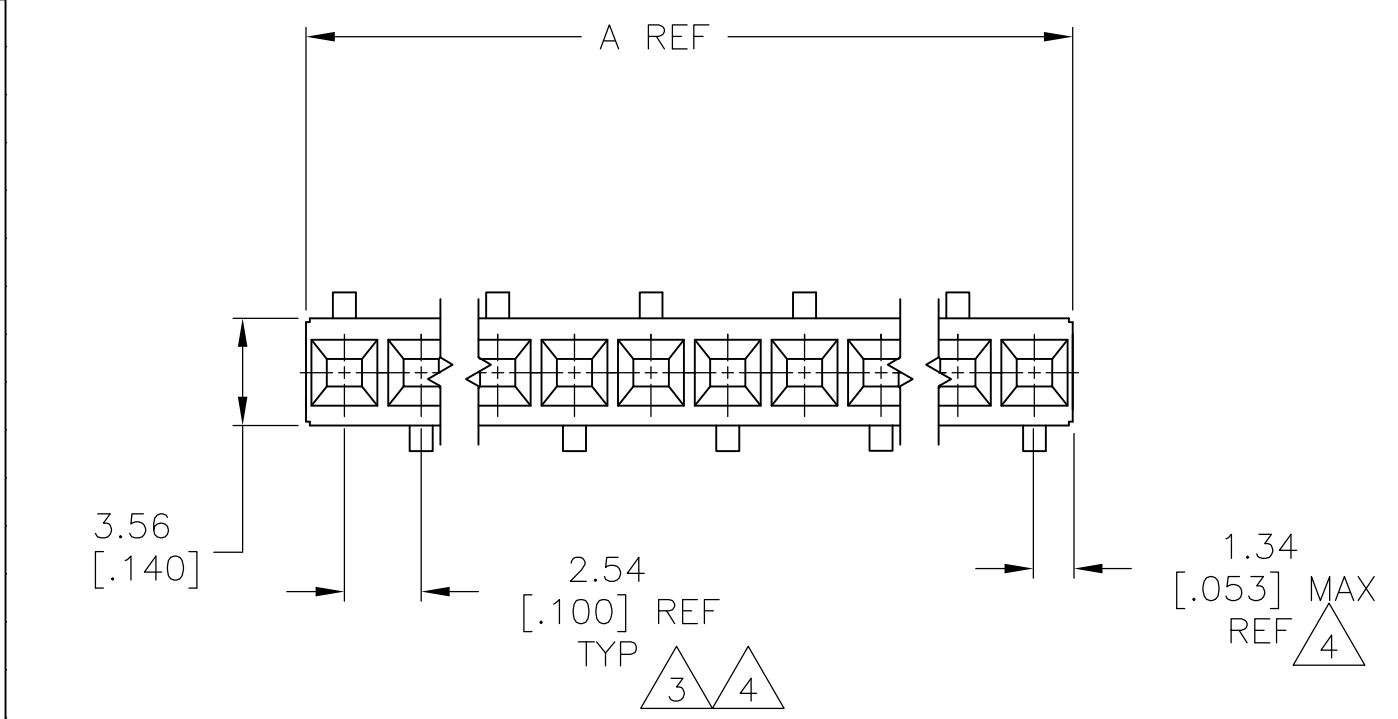


RECOMMENDED HOLE LAYOUT



- 1 DATE CODE AND PART NUMBER, ARE MARKED IN APPROXIMATE LOCATION SHOWN.
- 2 CONTACT FINISH: 2.54-5.08µm [.000100-.000200] BRIGHT TIN-LEAD, OVER 1.27µm [.000050] MIN NICKEL.
- 3 TOLERANCE NON CUMULATIVE.
- 4 THESE DIMENSIONS PERTAIN TO CAVITY CENTERLINES ONLY, NOT TO CONTACT LOCATION
- 5 HOUSING: FLAME RETARDANT, GLASS FILLED POLYESTER, BLACK. CONTACT: PHOSPHOR BRONZE.
- 6 FOR 2 POS, DATE CODE IS STAMPED OPPOSITE SIDE OF TE LOGO.
- 7 TE LOGO AND CSA LOGO ARE MOLDED INTO HOUSING.
- 8 NO PART NUMBER MARKING REQUIRED FOR THIS PART.
- 9 CONTACT FINISH: 3.81-7.58µm [.000150-.000300] MATTE TIN, OVER 1.27µm [.000050] MIN NICKEL.
- 10 ROHS 2002/95/EC COMPLIANT

99.06	[3.900]	101.60	[4.000]	40	10	8-147727-9
96.52	[3.800]	99.06	[3.900]	39	10	8-147727-8
93.98	[3.700]	96.52	[3.800]	38	10	8-147727-7
91.44	[3.600]	93.98	[3.700]	37	10	8-147727-6
88.90	[3.500]	91.44	[3.600]	36	10	8-147727-5
86.34	[3.400]	88.90	[3.500]	35	10	8-147727-4
83.82	[3.300]	86.34	[3.400]	34	10	8-147727-3
81.28	[3.200]	83.82	[3.300]	33	10	8-147727-2
78.74	[3.100]	81.28	[3.200]	32	10	8-147727-1
76.20	[3.000]	78.74	[3.100]	31	10	8-147727-0
73.66	[2.900]	76.20	[3.000]	30	10	7-147727-9
71.12	[2.800]	73.66	[2.900]	29	10	7-147727-8
68.58	[2.700]	71.12	[2.800]	28	10	7-147727-7
66.04	[2.600]	68.58	[2.700]	27	10	7-147727-6
63.50	[2.500]	66.04	[2.600]	26	10	7-147727-5
60.96	[2.400]	63.50	[2.500]	25	10	7-147727-4
58.42	[2.300]	60.96	[2.400]	24	10	7-147727-3
55.88	[2.200]	58.42	[2.300]	23	10	7-147727-2
53.34	[2.100]	55.88	[2.200]	22	10	7-147727-1
50.80	[2.000]	53.34	[2.100]	21	10	7-147727-0
48.26	[1.900]	50.80	[2.000]	20	10	6-147727-9
45.72	[1.800]	48.26	[1.900]	19	10	6-147727-8
43.18	[1.700]	45.72	[1.800]	18	10	6-147727-7
40.64	[1.600]	43.18	[1.700]	17	10	6-147727-6
38.10	[1.500]	40.64	[1.600]	16	10	6-147727-5
35.56	[1.400]	38.10	[1.500]	15	10	6-147727-4
33.02	[1.300]	35.56	[1.400]	14	10	6-147727-3
30.48	[1.200]	33.02	[1.300]	13	10	6-147727-2
27.94	[1.100]	30.48	[1.200]	12	10	6-147727-1
25.40	[1.000]	27.94	[1.100]	11	10	6-147727-0
22.86	[.900]	25.40	[1.000]	10	10	5-147727-9
20.32	[.800]	22.86	[.900]	9	10	5-147727-8
17.78	[.700]	20.32	[.800]	8	10	5-147727-7
15.24	[.600]	17.78	[.700]	7	10	5-147727-6
12.70	[.500]	15.24	[.600]	6	10	5-147727-5
10.16	[.400]	12.70	[.500]	5	10	5-147727-4
7.62	[.300]	10.16	[.400]	4	10	5-147727-3
5.08	[.200]	7.62	[.300]	3	10	5-147727-2
2.54	[.100]	5.08	[.200]	2	10	5-147727-1

99.06	[3.900]	101.60	[4.000]	40	3-147727-9
96.52	[3.800]	99.06	[3.900]	39	3-147727-8
93.98	[3.700]	96.52	[3.800]	38	3-147727-7
91.44	[3.600]	93.98	[3.700]	37	3-147727-6
88.90	[3.500]	91.44	[3.600]	36	3-147727-5
86.34	[3.400]	88.90	[3.500]	35	3-147727-4
83.82	[3.300]	86.34	[3.400]	34	3-147727-3
81.28	[3.200]	83.82	[3.300]	33	3-147727-2
78.74	[3.100]	81.28	[3.200]	32	3-147727-1
76.20	[3.000]	78.74	[3.100]	31	3-147727-0
73.66	[2.900]	76.20	[3.000]	30	2-147727-9
71.12	[2.800]	73.66	[2.900]	29	2-147727-8
68.58	[2.700]	71.12	[2.800]	28	2-147727-7
66.04	[2.600]	68.58	[2.700]	27	2-147727-6
63.50	[2.500]	66.04	[2.600]	26	2-147727-5
60.96	[2.400]	63.50	[2.500]	25	2-147727-4
58.42	[2.300]	60.96	[2.400]	24	2-147727-3
55.88	[2.200]	58.42	[2.300]	23	2-147727-2
53.34	[2.100]	55.88	[2.200]	22	2-147727-1
50.80	[2.000]	53.34	[2.100]	21	2-147727-0
48.26	[1.900]	50.80	[2.000]	20	1-147727-9
45.72	[1.800]	48.26	[1.900]	19	1-147727-8
43.18	[1.700]	45.72	[1.800]	18	1-147727-7
40.64	[1.600]	43.18	[1.700]	17	1-147727-6
38.10	[1.500]	40.64	[1.600]	16	1-147727-5
35.56	[1.400]	38.10	[1.500]	15	1-147727-4
33.02	[1.300]	35.56	[1.400]	14	1-147727-3
30.48	[1.200]	33.02	[1.300]	13	1-147727-2
27.94	[1.100]	30.48	[1.200]	12	1-147727-1
25.40	[1.000]	27.94	[1.100]	11	1-147727-0
22.86	[.900]	25.40	[1.000]	10	147727-9
20.32	[.800]	22.86	[.900]	9	147727-8
17.78	[.700]	20.32	[.800]	8	147727-7
15.24	[.600]	17.78	[.700]	7	147727-6
12.70	[.500]	15.24	[.600]	6	147727-5
10.16	[.400]	12.70	[.500]	5	147727-4
7.62	[.300]	10.16	[.400]	4	147727-3
5.08	[.200]	7.62	[.300]	3	147727-2
2.54	[.100]	5.08	[.200]	2	147727-1

6 8 OBSOLETE

6 8 OBSOLETE

FINISH		B	A	NO OF POSN	PART NUMBER
THIS DRAWING IS A CONTROLLED DOCUMENT.					
DIMENSIONS: mm [INCHES]		TOLERANCES UNLESS OTHERWISE SPECIFIED:		DRAWN: M. BINNER 22JAN01	
0 PLC ± -		1 PLC ± -		CHK: J. JOLSON 20MAY02	
1 PLC ± -		2 PLC ± -		APP'D: J. JOLSON 20MAY02	
2 PLC ± -		3 PLC ± 0.13 [.005]		NAME: RECP.T. ASSY., MOD IV, SINGLE ROW, .100CL, VERTICAL BD. MOUNT, CLOSED ENTRY, DUAL ENTRY, SHORT PT OF CONTACT	
3 PLC ± -		4 PLC ± -		PRODUCT SPEC: 108-25022	
4 PLC ± -		ANGLES ± -		APPLICATION SPEC: 114-25018	
MATERIAL: 5		FINISH: SEE TABLE		SIZE: A1	
				CAGE CODE: 00779	
				DRAWING NO: 147727	
				RESTRICTED TO: -	
				WEIGHT: -	
				CUSTOMER DRAWING	
				SCALE: 4:1	
				SHEET: 1 OF 1	
				REV: H1	